

D E N S E / S A U C E S
w i t h p a r t i c l e s



NET WEIGHT RINSER, **TANKLESS FILLER** AND CAPPER TRIBLOCK FOR **DENSE PRODUCT**

NET WEIGHT TRIBLOCK DE ENJUAGADO, LLENADO **SIN DEPOSITO** Y TAPONADO PARA **PRODUCTOS DENSOS**

NET WEIGHT TRIBLOCK DI RISCIAQUO, RIEMPIMENTO **SENZA SERBATOIO** E TAPPATURA PER **PRODOTTI DENS**



NET WEIGHT RINSER, **TANKLESS FILLER** AND CAPPER TRIBLOCK FOR **DENSE PRODUCT** (DOES NOT REQUIRE A VESSEL ON BOARD)





Filler designed
with an integral CIP / SIP system
allowing washing and/or sterilization
of the filler in minimum time

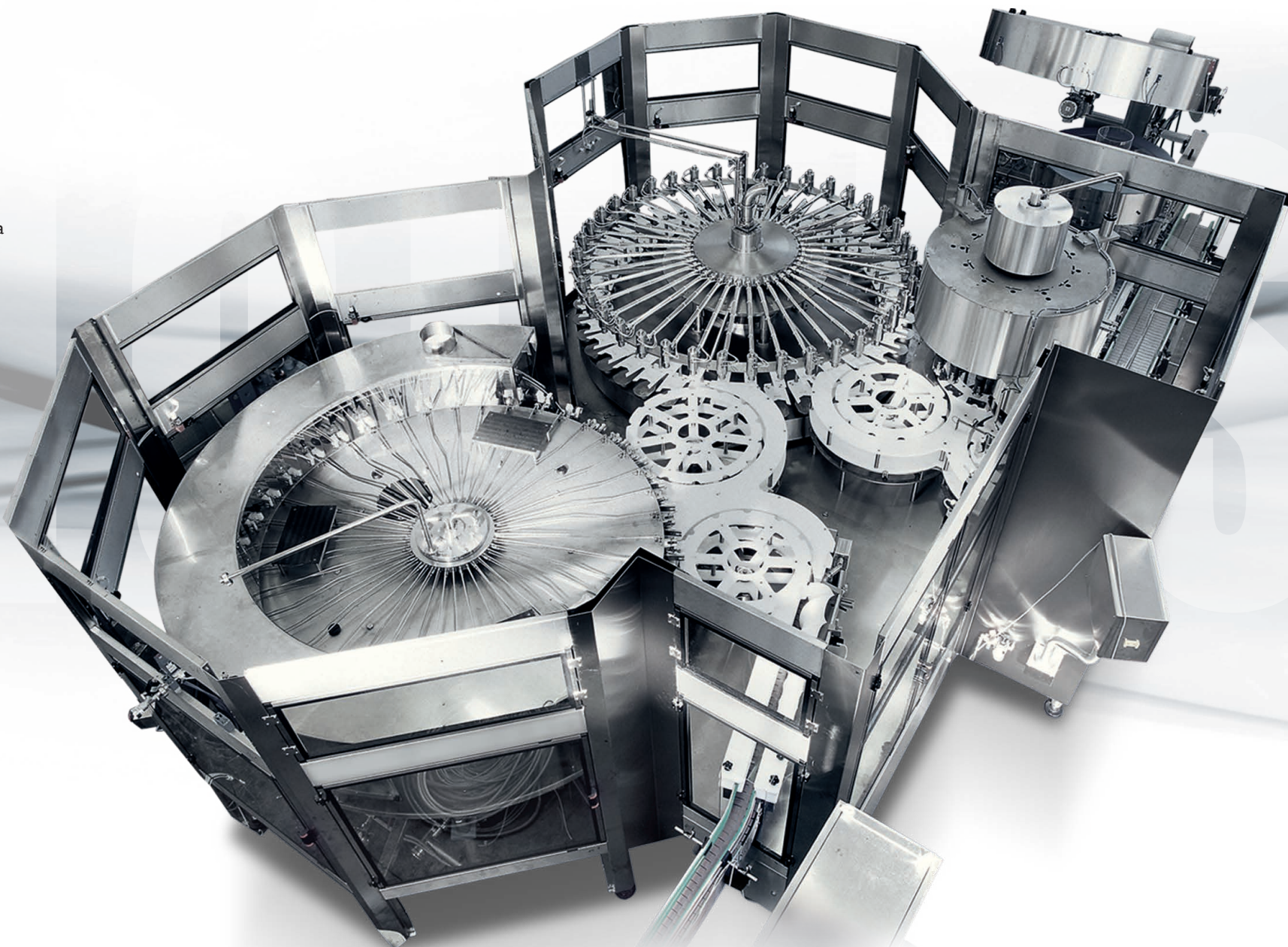
Configuración
con sistema CIP / SIP integrado
para lavar y esterilizar la máquina
en un tiempo reducido

Configurazione macchina
con sistema CIP/SIP integrato
per lavare e sterilizzare il sistema
in un tempo molto ridotto

Conceived for high viscosity products, the tankless filler guarantee a perfect filling accuracy and the fast and perfect cleaning

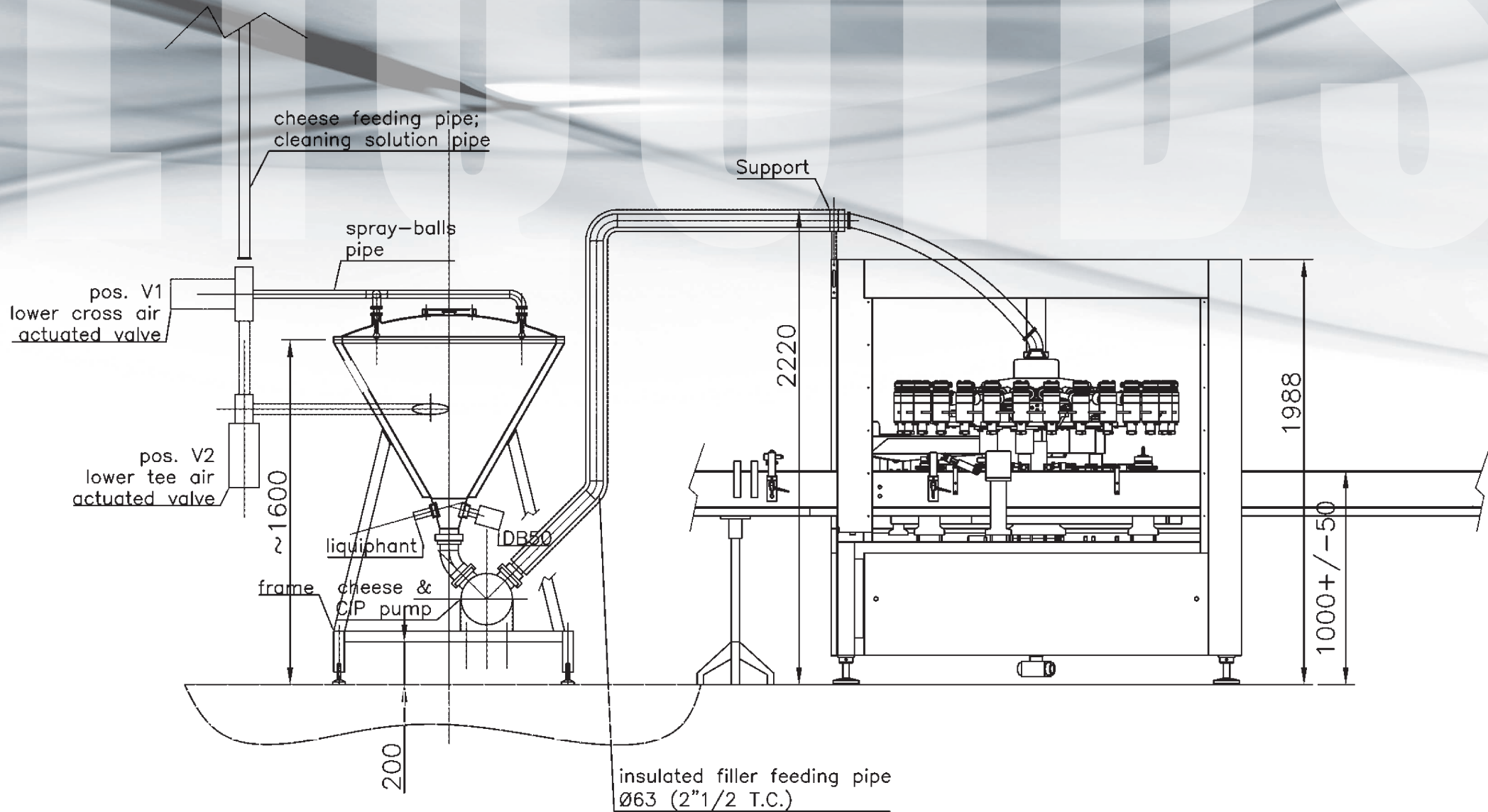
Especialmente idónea para los productos viscosos, la versión sin tanque garantiza una elevada calidad de llenado en terminos de precision e facilidad de limpieza

Concepita per prodotti ad alta viscosità la versione senza serbatoio garantisce elevata precisione e rapida pulizia





UNIVERSITY





NET WEIGHT RINSER, **TANKLESS FILLER** AND CAPPER TRIBLOCK FOR **DENSE PRODUCT** (DOES NOT REQUIRE A VESSEL ON BOARD)

 **WeightPack - ITALY**

WeightPack srl

Strada Bardelletta, 10 B
46044 Goito (Mantova) - Italy
Tel. ++39 0376 689255
Fax ++39 0376 689427
www.weightpack.com
info@weightpack.com

 **WeightPack, Inc.**

WeightPack North America Inc.
3490 Anderson Hwy.
Powhatan, VA 23139 - USA
Ph: (804) 598-4512
Fax: (804) 598-9759
www.weightpack.com
info@weightpack-na.com